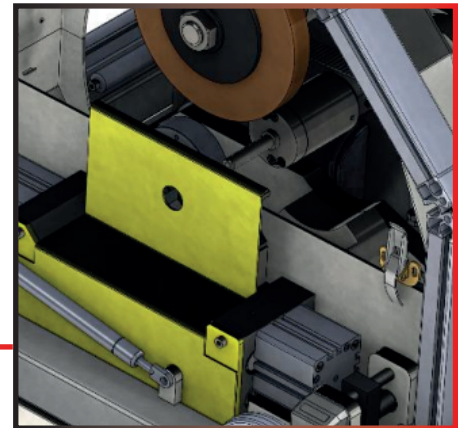
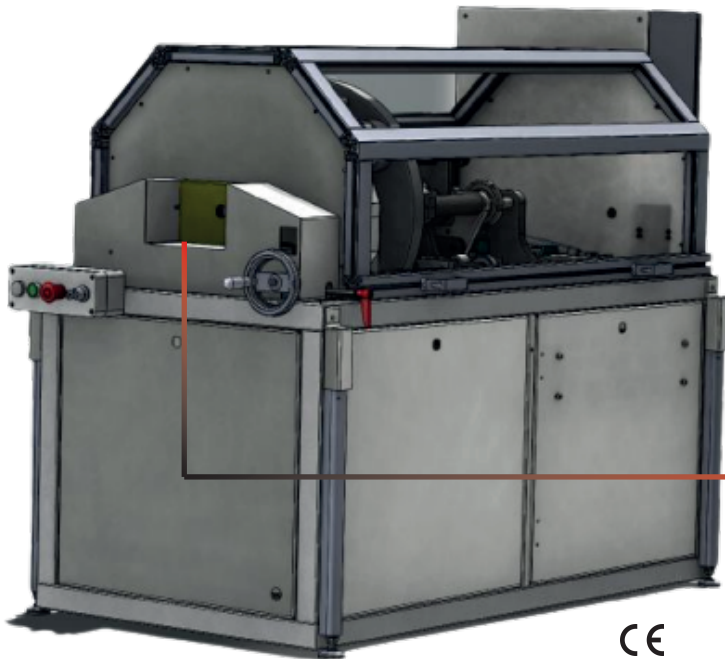




PLANETARY BRUSHING MACHINE TYPE DP169

Planetary brushing machine for flexibles hoses up to 2" 6 wires



TECHNICAL SPECIFICATIONS

- Floor-mounted model for mass-production
- Working height: 1000mm
- Plate rotation speed: 60 rpm
- Supplied with 10 interchangeable gauges
- Rotation speed: 3000 rpm
- Incorporated powerful vacuum cleaner
- Fibreglass dust-bag
- The hose is positioned on a gauge corresponding to its internal diameter
- A clamp holds and guides the hose
- The brush rotates around the hose and approaches the centre till the dimension is reached
- The head moves back to continue stripping over the required length
- The brush moves away, the head returns to its initial position
- The gripper opens
- The stripping is done and the machine is ready for another operation
- OPTIONS: Simultaneous internal skiving operation of the hose
The dust-extractor can be equipped with a suction pipe inside the hose.
Special voltage
Filtrating box BF3
Box BF099 for dust-bag and connecting to an external dust-extraction system
- Dimensions: H x W x L : 1200 x 600 x 1330mm
- Weight: 400kg

