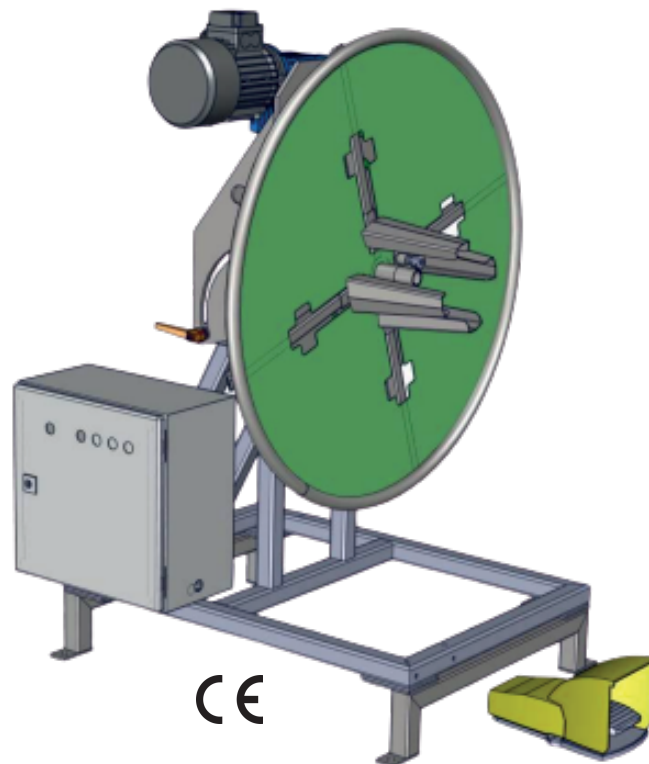




**HOSE CUTTING SOLUTIONS**

## **MOTORIZED COILER/UNCOILER TYPE DM 900V**

Particularly adapted for coiling flexible hoses



### **TECHNICAL SPECIFICATIONS**

- Solid 4-legged frame for easy handling and fixing to the floor
- The coil diameter varies according to the different models of crowns (from 250 to 600mm)
- Adjustable working position from 0° to 90°
- Pedal-operated
- 0.75kW – 400V TRI three phases geared motor
- Maximum coiling speed: 20rpm
- Working height: 950mm
- Maximum load on the tray: 250kg
- Dimensions: H x W x L : 1266 x 900 x 900mm



**ETS CLAVEL - 5 Rue Pierre et Marie Curie, 18520 AVORD - France**  
<https://www.clavel.fr> Tel : 02 48 76 80 14 [contact@clavel.fr](mailto:contact@clavel.fr)

