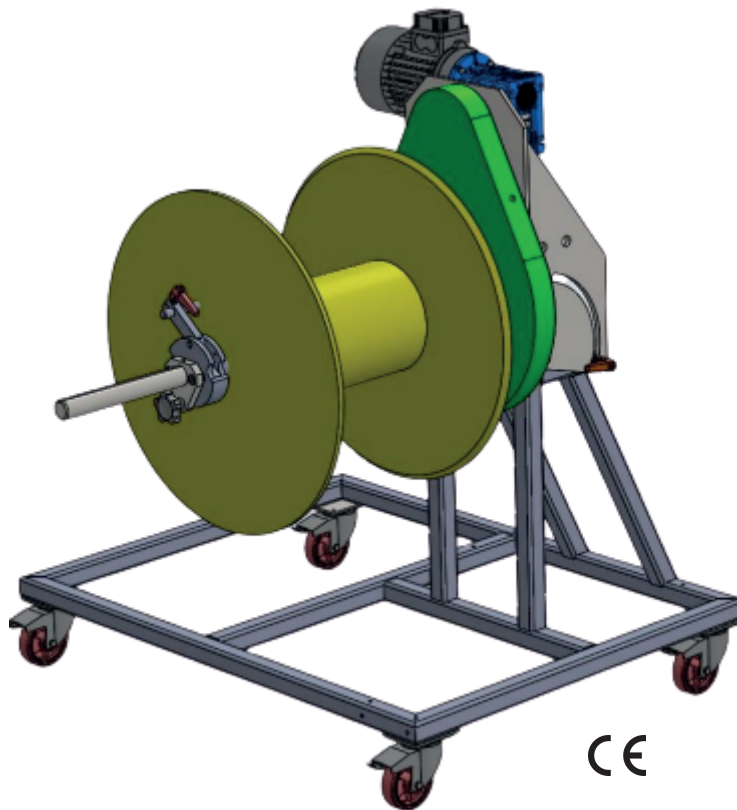




**HOSE CUTTING SOLUTIONS**

## **COILER TYPE ET638**

Particularly adapted for coiling flexible hydraulic hoses in reel.



### **TECHNICAL SPECIFICATIONS**

- Set of robust design equipped with 4 feet for easy handling and its fixing to the ground
- Adjustable working position from 0° to 90°
- Optional equipment on wheels
- Permissible load on the reel: 100kg
- Dimensions: H x W x L: 1100 x 900 x 900mm
- Weight: 90kg
- Power supply: 230V MONO or 400 TRI



**ETS CLAVEL - 5 Rue Pierre et Marie Curie, 18520 AVORD - France**  
<https://www.clavel.fr> Tel : 02 48 76 80 14 [contact@clavel.fr](mailto:contact@clavel.fr)

