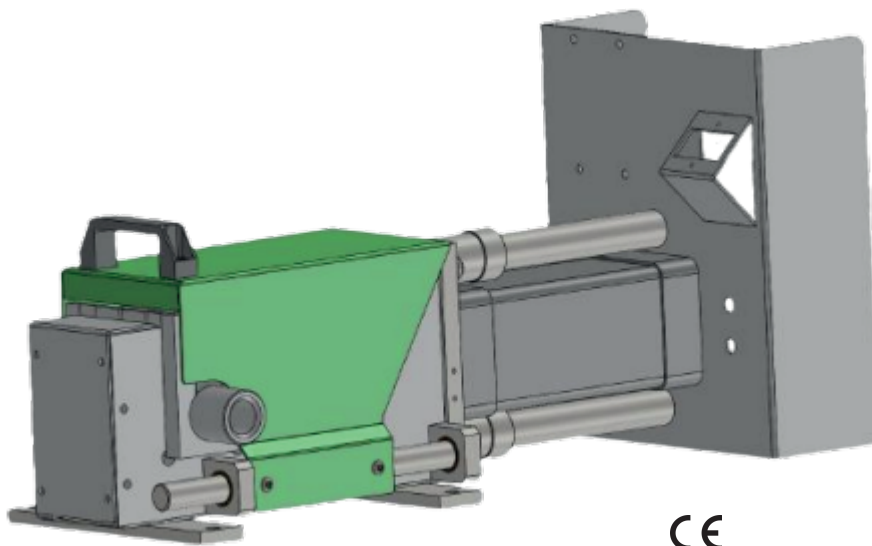




HOSE CUTTING SOLUTIONS

PNEUMATIC GUILLOTINE TYPE GM1-184

To cut hoses without metallic reinforcement



CE

TECHNICAL SPECIFICATIONS

- Horizontal working position
- Maximum hose diameter passage: 25mm
- Bench-top model
- Cutting operation with a guillotine blade type L1
- Pedal-operated pneumatic control
- Parts counter
- Safety guard
- Power supply: Air 6 bars
- Dimensions: H x W x L : 630 x 710 x 270mm
- Weight: 45kg

