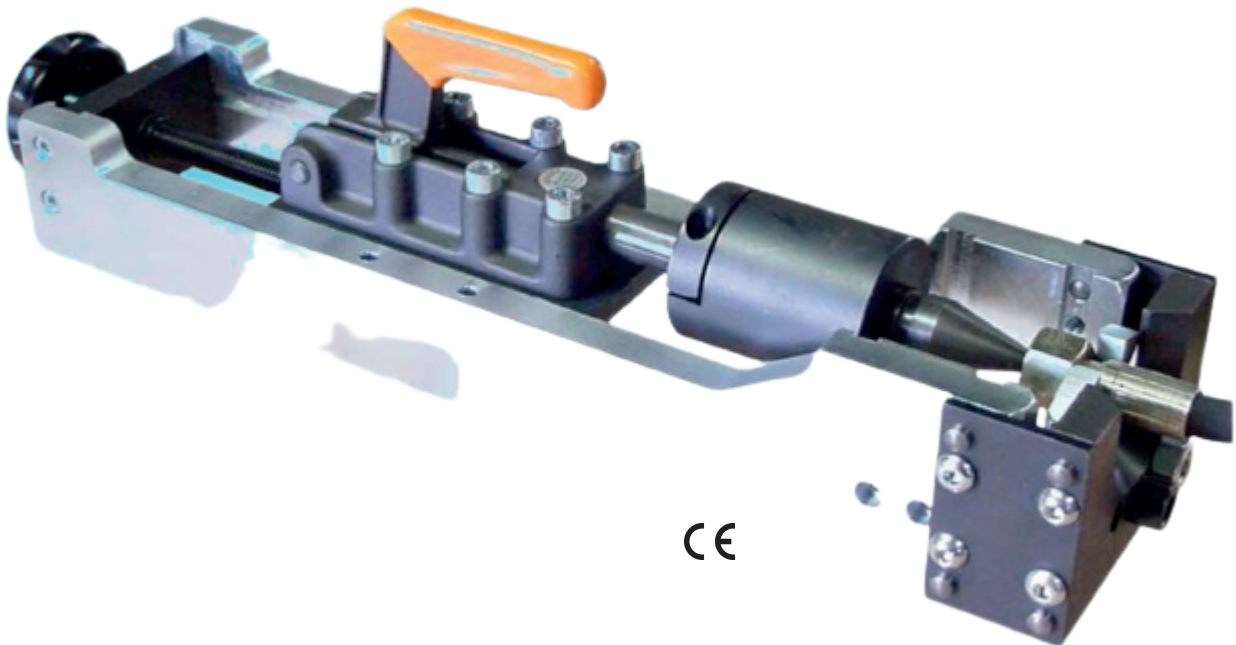




HOSE CUTTING SOLUTIONS

QUICK HOLD TYPE PR239



TECHNICAL SPECIFICATIONS

- The PR 239 quick hold has been designed to facilitate the connection of the hoses to be tested
- Maximum allowable pressure: 1000 bar
- Supplied with 2 bit support discs
 - Disc Ø33-Ø30-Ø27-Ø24-Ø21-Ø18-Ø16
 - Disc Ø42-Ø39-Ø36-Ø14-Ø12-Ø10-Ø8
- Other disc on request
 - Disc Ø24-Ø21-Ø17.5-Ø16.5-Ø15.5-Ø13.5-Ø12-Ø10
- 4 sealing cones corresponding to the different hose diameters
 - Cone 30° - Ø11
 - Cone 30° - Ø3.8
 - Cone 30° - Ø2.2
 - Cone 30° - Ø20
- Other cones on request
 - cone 80°-Ø2.2 - cone 80°-Ø3.8 - cone 80°-Ø6.5



ETS CLAVEL - 5 Rue Pierre et Marie Curie, 18520 AVORD - France
<https://www.clavel.fr> Tel : 02 48 76 80 14 contact@clavel.fr

