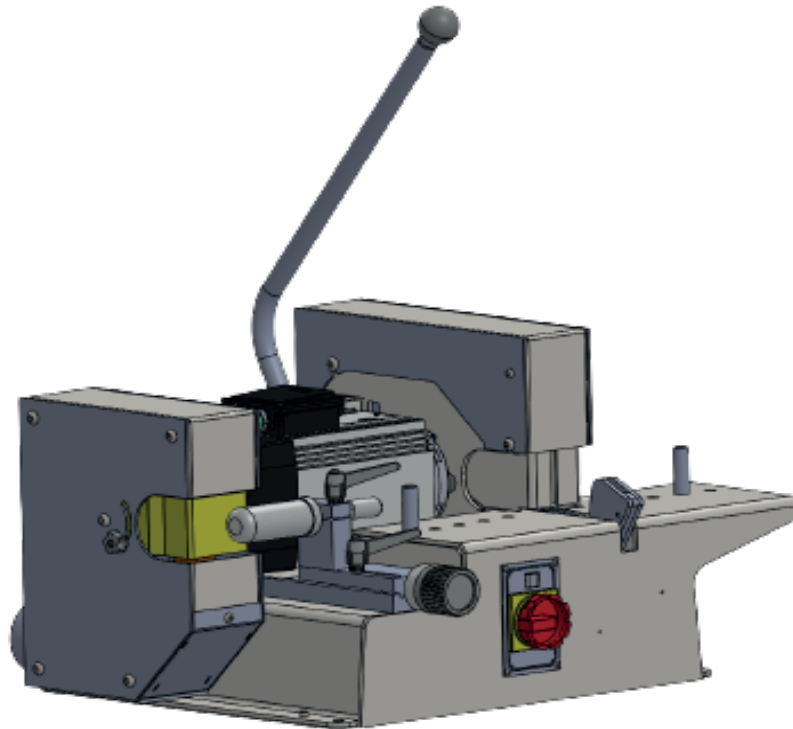




HOSE CUTTING SOLUTIONS

CUTTING AND SKIVING MACHINE TYPE TD4

For flexibles hoses up to 1"1/2-4 wires



CE

TECHNICAL SPECIFICATIONS

- Maximum cutting diameter: 65mm
- Bench-top model with manual control
- Single lever to bend and cut hoses
- Equipped with removable protective covers
- 3 kW - 400V TRI - 50 HZ - three phases high torque electric motor
- Direct starting, protected by heat sensor
- Equipped with 10 interchangeable gauges from Ø4, 2 to 37, 8mm
- Connection nozzle with aspiration system (without vacuum cleaner)
- Bevelled cutting blade: ø300 x 3 x 30mm
- Brush: Ø200 x 25 x 25mm
- Dimensions: H x W x L: 780 x 540 x 670mm
- Weight: 73kg



ETS CLAVEL - 5 Rue Pierre et Marie Curie, 18520 AVORD - France
<https://www.clavel.fr> Tel : 02 48 76 80 14 contact@clavel.fr

